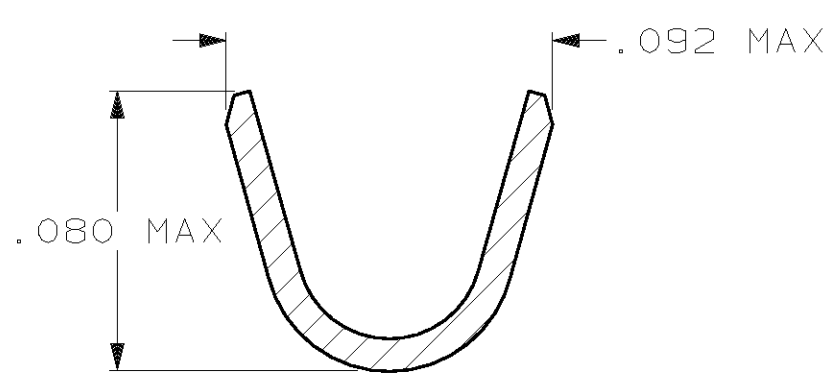
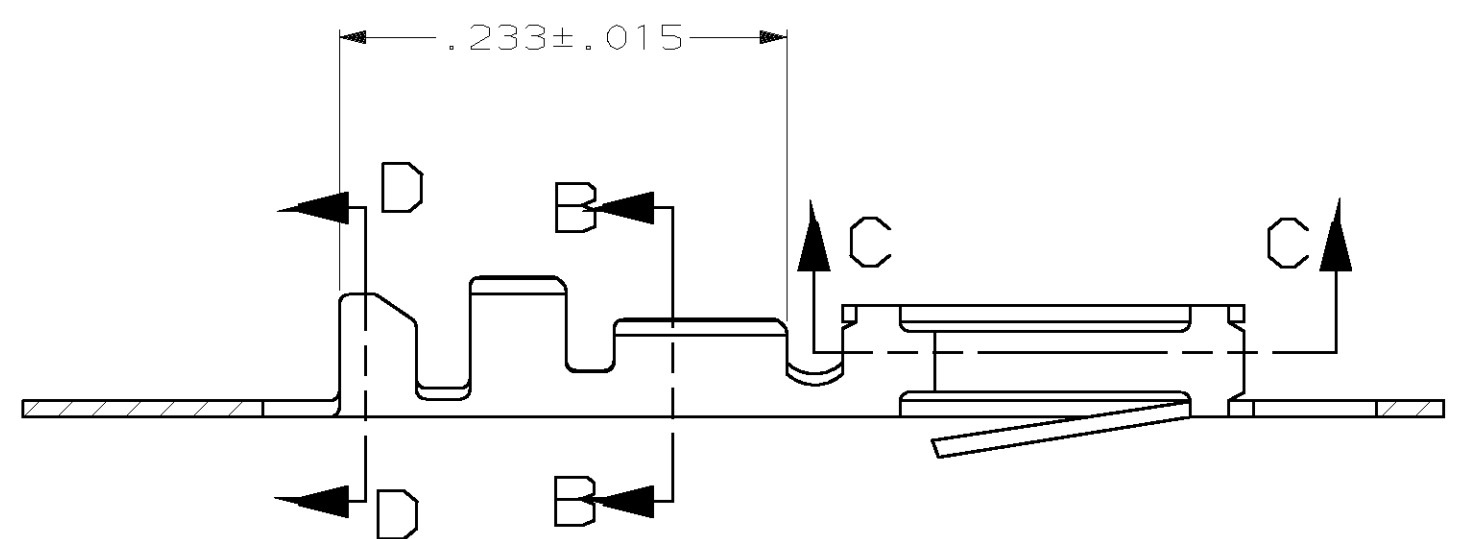
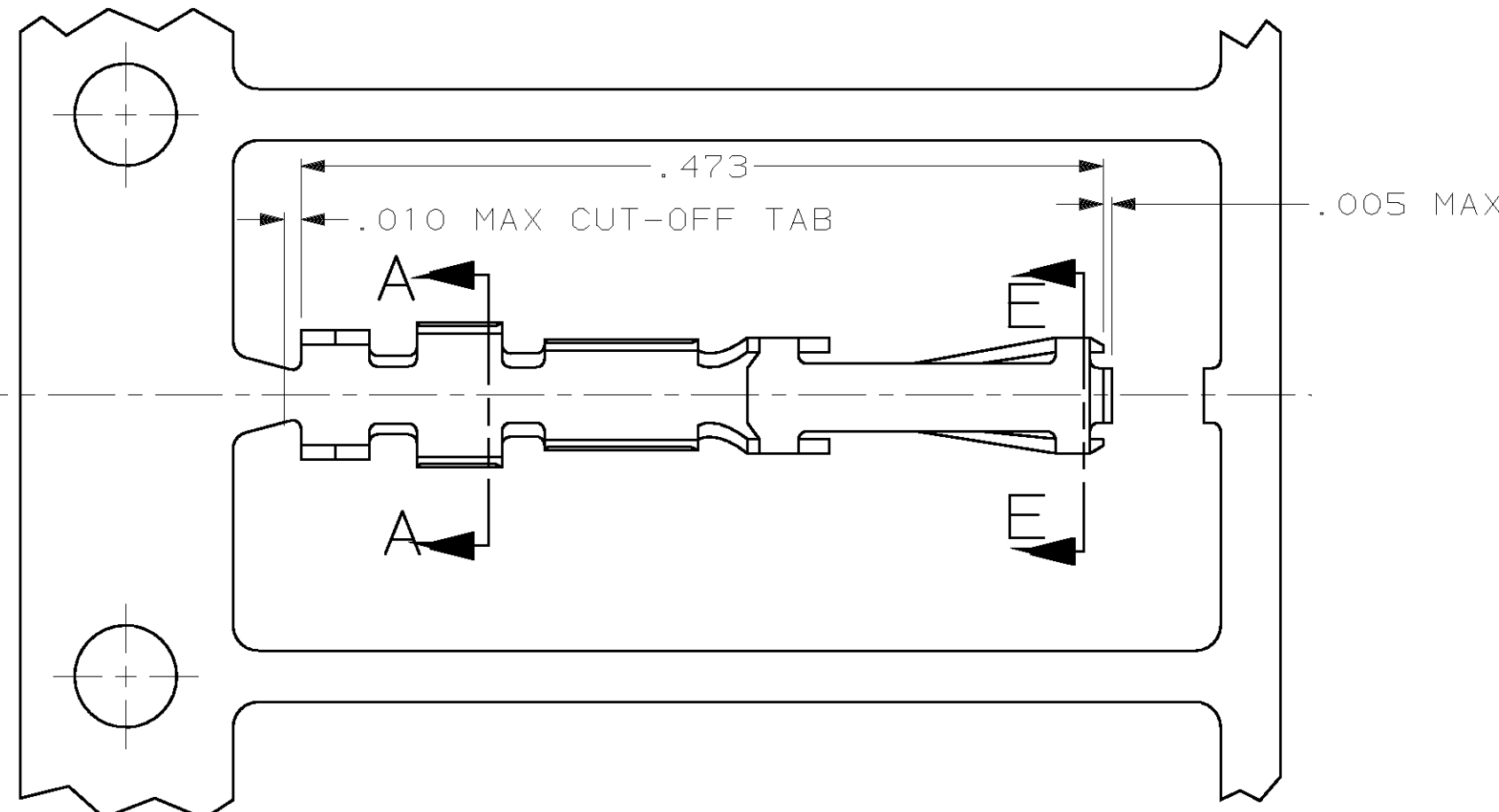
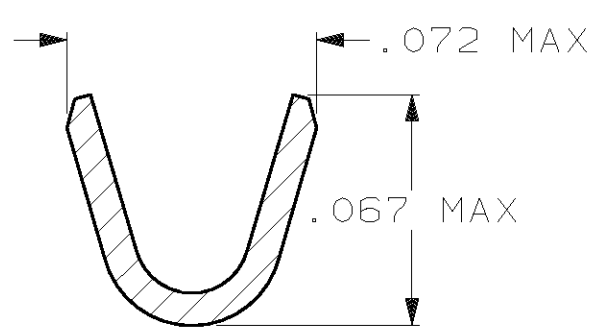


THIS DRAWING IS UNPUBLISHED. RELEASED FOR PUBLICATION ,19 .
 © COPYRIGHT 19 BY AMP INCORPORATED. ALL INTERNATIONAL RIGHTS RESERVED.

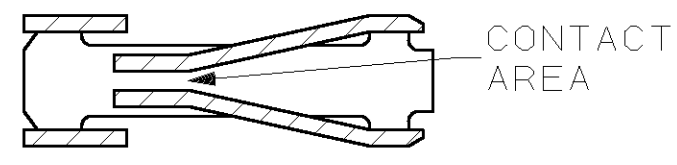
LOC		D15T		P		F		ZONE		LTR		REVISIONS		DATE	APPD	
GP	00												W	REVISED PER EC 0513-0205-03	25AUG03	JG



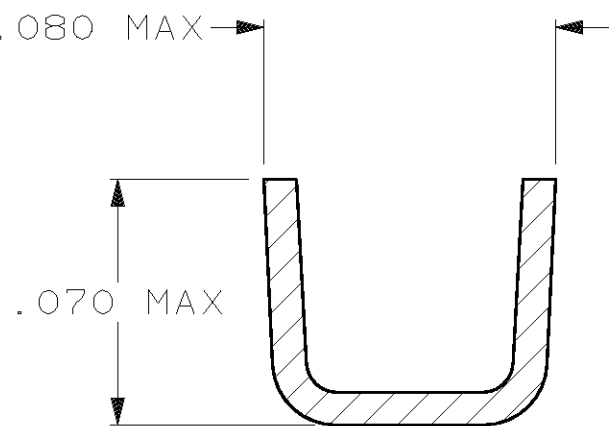
SECTION A-A
SCALE 20:1



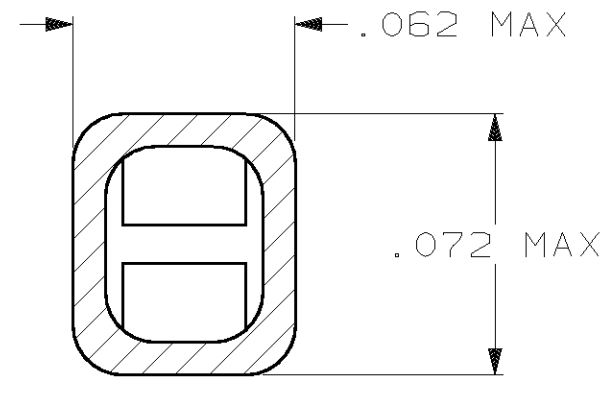
SECTION B-B
SCALE 20:1



SECTION C-C



SECTION D-D
SCALE 20:1



SECTION E-E
SCALE 20:1

- 1 REELED FOR USE WITH STANDARD APPLICATOR.
- 2 REELED FOR USE WITH MINIATURE APPLICATOR.
- 3 FINISH: GOLD FLASH ALL OVER, .000015 MIN THK GOLD ON LOCALIZED CONTACT PLATING AREA OVER .000050 MIN THK NICKEL ON ENTIRE CONTACT
- 4 FINISH: GOLD FLASH ALL OVER, .000030 MIN THK GOLD ON LOCALIZED CONTACT PLATING AREA OVER .000050 MIN THK NICKEL ON ENTIRE CONTACT
- 5 FINISH: GOLD FLASH ALL OVER, .000050 MIN THK GOLD ON LOCALIZED CONTACT PLATING AREA OVER .000050 MIN THK NICKEL ON ENTIRE CONTACT
- 6 FINISH: .000100 MIN THK BRIGHT TIN-LEAD OVER .000050 MIN THK NICKEL ON ENTIRE CONTACT
- 7 FINISH: .000030 MIN THK GOLD ON ALL EXTERIOR SURFACES, INSIDE OF RCPT. BOX (EXCLUDING PREPLATED CONTACT AREAS) MAY HAVE .000003 MIN THK GOLD, ALL OVER .000050 MIN THK GOLD ON LOCALIZED CONTACT PLATING AREA OVER .000050 MIN THK NICKEL ON ENTIRE CONTACT
- 8 FINISH: .000050 MIN THK GOLD ON ALL EXTERIOR SURFACES, INSIDE OF RCPT. BOX (EXCLUDING PREPLATED CONTACT AREAS) MAY HAVE .000003 MIN THK GOLD, ALL OVER .000050 MIN THK GOLD ON LOCALIZED CONTACT PLATING AREA OVER .000050 MIN THK NICKEL ON ENTIRE CONTACT
- 9. FOR 22-26 AWG WIRE WITH AN INSULATION RANGE OF .040-.056 DIA.
- 10 OBSOLETE PART NUMBER
- 11 FINISH: .000100 MIN THK TIN OVER .000050 MIN THK NICKEL ON ENTIRE CONTACT.

11	1-86571-1	2	2-86566-0
7		10	1-86566-9
8		10	1-86566-7
8	1-86571-0	2	1-86566-6
6		10	1-86566-3
5		10	1-86566-2
4		1	1-86566-1
3		10	1-86566-0
6	86571-8	2	86566-8
5	86571-6	2	86566-6
4	86571-4	2	86566-4
3	86571-2	2	86566-2

FINISH	LOOSE PIECE PART NO	PART NO
--------	---------------------	---------

DO NOT SCALE PRINT. UNLESS SPECIFIED DIMENSIONS IN INCHES TOLERANCES ON :		DR 6-8-89 B. MOYER		AMP INCORPORATED Harrisburg, Pa. 17105	
2 PLC DEC ± -		CHK 6-8-89 D.L. ROCKER <td colspan="2">NAME</td>		NAME	
3 PLC DEC ± .005		APPD 6-14-89 G.D. MILLER <td colspan="2" rowspan="2">CONTACT, RCPT., ROUND WIRE, .100¢ FFC</td>		CONTACT, RCPT., ROUND WIRE, .100¢ FFC	
ANGLES ± -		APPD 6-14-89 W.T. PARKER			
MATERIAL		PRODUCT SPEC		DRAWING NO	
PHOS. BRONZE		108-9024		86566	
FINISH		APPLICATION SPEC		SIZE	
SEE TABLE		114-16003		C 00779	
WEIGHT		SCALE		FSCM NO	
-		10:1		DRAWING NO	
				86566	
				SHEET	
				1 OF 1	